


**INTRODUCTION SAVE ENERGY WITH NIVISS nFloor-3**

NIVISS nFloor-3 is an advanced, energy-efficient and environmentally friendly spotlight for outdoor applications, which can also be used in indoor applications. It is based on LED technology of one of the leaders of the LED solutions - American company Cree®.

- ✿ XLamp® XP-G2 Cree® LEDs
- ✿ 12-25V DC Input Voltage
- ✿ 2W, 3W available
- ✿ IP68 up to 5m
- ✿ Marine grade SS316L Stainless steel
- ✿ High efficiency
- ✿ Environmentally friendly
- ✿ Long Lifetime
- ✿ Energy Saving
- ✿ Modern Design

**FEATURES**
**RoHS**  
COMPLIANT

**IP68**

**APPLICATIONS** NIVISS nFloor-3 can be widely used in different type of outdoor decorative applications as highlighting architectural objects:

- ✿ Walkways lighting
- ✿ Cycle paths lighting
- ✿ Driveway lighting
- ✿ Accent lighting
- ✿ Monument lighting
- ✿ Poll lighting

**Contact:**


+48 58 781 33 99

[sales@niviss.com](mailto:sales@niviss.com)
[www.niviss.com](http://www.niviss.com)

NIVISS reserves the right to make technical changes without prior notice.

Copyright © NIVISS 2015-07-02 Niviss\_nFloor-3\_EN\_VA056

### SPECIFICATION

#### 2W Version

Color*	Comfort White	Warm White	Neutral White	Cool White
Color Temperature	2700 ± 150 K	3000 ± 150 K	4000 ± 250 K	5000 ± 250 K
Lumen Output**	118 lm	126 lm	144 lm	153 lm
CRI	≥80		≥70	
LED Working Current	580 mA			
Input Voltage	12-25V DC			
Wattage	2W			
Number of LEDs	1			
Led Family	XLamp® XP-G2 Cree® LEDs			
Operating temperature	-20°C + +55°C			
Dimensions	Φ50mm x 53,6mm (without box)			
Ingres Protection	IP68 (up to 5m)			
Working Load	350 kg			
IK Protection Class	IK 08			
Appliance class	Class III			
Viewing Angle [FWHM]	15°, 28°, 54°			
Dimmable	NO			
Lifetime ***	≥ 51400			
Connection cable	H07N – for Inground version; SIH – for pool version			

\* Other colors on request

\*\* Source performance in real-life conditions at ambient temperature of 25°C; includes optical losses, tolerance of source Lumen Output - 5%

\*\*\* Approximate lifetime of LEDs as declared by the manufacturer [Cree®](#) and other electronic components

#### 3W Version

Color*	Comfort White	Warm White	Neutral White	Cool White
Color Temperature	2700 ± 150 K	3000 ± 150 K	4000 ± 250 K	5000 ± 250 K
Lumen Output**	152 lm	162 m	185 lm	198 lm
CRI	≥80		≥70	
LED Working Current	750 mA			
Input Voltage	12-25V DC			
Wattage	3W			
Number of LEDs	1			
Led Family	XLamp® XP-G2 Cree® LEDs			
Operating temperature	-20°C + +55°C			
Dimensions	Φ50mm x 53,6mm (without box)			
Ingres Protection	IP68			
Working Load	350 kg			
IK Protection Class	IK 08			
Appliance class	Class III			
Viewing Angle [FWHM]	15°, 28°, 54°			
Dimmable	NO			
Lifetime ***	≥ 51400			
Connection cable	H07N – for Inground version; SIH – for pool version			

\* Other colors on request

\*\* Source performance in real-life conditions at ambient temperature of 25°C; includes optical losses, tolerance of source Lumen Output - 5%

\*\*\* Approximate lifetime of LEDs as declared by the manufacturer [Cree®](#) and other electronic components

Contact:



+48 58 781 33 99

[sales@niviss.com](mailto:sales@niviss.com)

[www.niviss.com](http://www.niviss.com)

NIVISS reserves the right to make technical changes without prior notice.

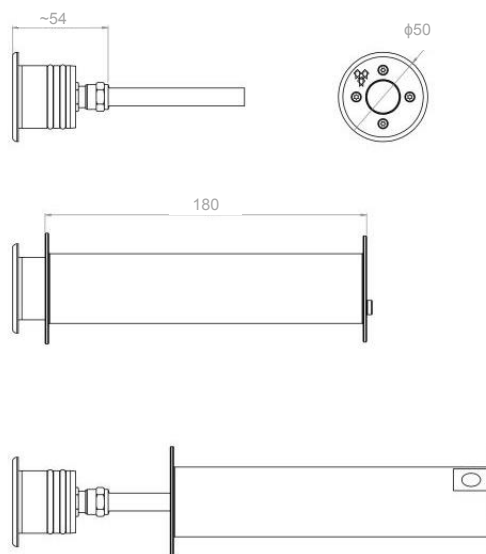
Copyright © NIVISS 2015-07-02 Niviss\_nFloor-3\_EN\_VA056

**CREE**   
 ▶ LED Solution Provider

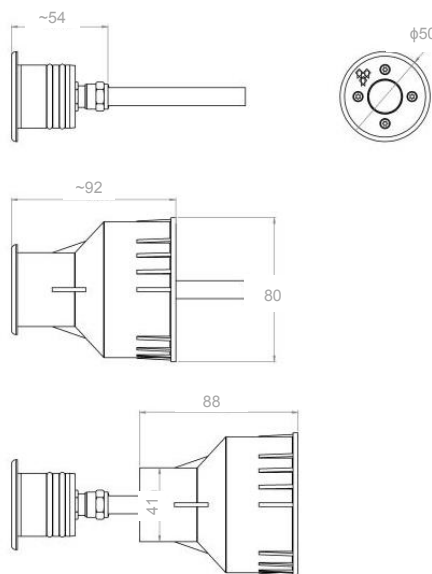
### DIMENSIONS [mm]



### Pool version



### Ground version



### Contact:



+48 58 781 33 99

[sales@niviss.com](mailto:sales@niviss.com)

[www.niviss.com](http://www.niviss.com)

NIVISS reserves the right to make technical changes without prior notice.

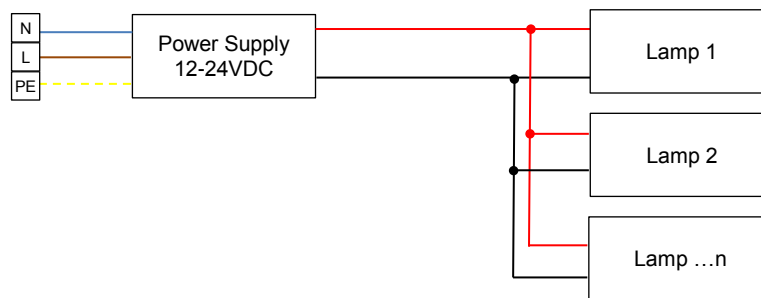
Copyright © NIVISS 2015-07-02 Niviss\_nFloor-3\_EN\_VA056

### ORDERING CODE

Index	Power	Color
NFLOOR3-PO-CV-2W-VWxxS	2 W	Comfort White (2700 K), Inground version
NFLOOR3-PO-CV-2W-WWxxS	2 W	Warm White (3000 K), Inground version
NFLOOR3-PO-CV-2W-NWxxS	2 W	Neutral White (4000 K), Inground version
NFLOOR3-PO-CV-2W-CWxxS	2 W	Cool White (5000 K), Inground version
NFLOOR3-PO-CV-2W-VWxxS-P	2 W	Comfort White (2700 K), Pool version
NFLOOR3-PO-CV-2W-WWxxS-P	2 W	Warm White (3000 K), Pool version
NFLOOR3-PO-CV-2W-NWxxS-P	2 W	Neutral White (4000 K), Pool version
NFLOOR3-PO-CV-2W-CWxxS-P	2 W	Cool White (5000 K), Pool version
NFLOOR3-PO-CV-3W-VWxxS	3 W	Comfort White (2700 K), Inground version
NFLOOR3-PO-CV-3W-WWxxS	3 W	Warm White (3000 K), Inground version
NFLOOR3-PO-CV-3W-NWxxS	3 W	Neutral White (4000 K), Inground version
NFLOOR3-PO-CV-3W-CWxxS	3 W	Cool White (5000 K), Inground version
NFLOOR3-PO-CV-3W-VWxxS-P	3 W	Comfort White (2700 K), Pool version
NFLOOR3-PO-CV-3W-WWxxS-P	3 W	Warm White (3000 K), Pool version
NFLOOR3-PO-CV-3W-NWxxS-P	3 W	Neutral White (4000 K), Pool version
NFLOOR3-PO-CV-3W-CWxxS-P	3 W	Cool White (5000 K), Pool version

\* xx- means lens angle (15 for 15°, 28 for 28°, 54 for 54°)

### ELECTRICAL INSTALLATION



### ENVIRONMENTAL CAUTION



#### Caution!

It is prohibited to dispose of obsolete and waste electrical and electronic equipment together with regular household wastes. They should be properly sorted and recycled. Old electrical and electronic equipment should be returned to a waste collection point established by a waste-management service. Waste electrical and electronic equipment can be broken down to base materials and then recycled. For more information regarding waste management please contact your local authorities, waste-management service or the seller of electrical and electronic devices.

### Contact:



+48 58 781 33 99

[sales@niviss.com](mailto:sales@niviss.com)

[www.niviss.com](http://www.niviss.com)

NIVISS reserves the right to make technical changes without prior notice.

Copyright © NIVISS 2015-07-02 Niviss\_nFloor-3\_EN\_VA056