



### INTRODUCTION **SAVE ENERGY WITH NIVISS nFloor-6**

NIVISS nFloor-6 is an advanced, energy-efficient and environmentally friendly spotlight for outdoor applications, which can also be used in indoor applications. It is based on LED technology of one of the leaders of the LED solutions - American company Cree®.

- ✿ XLamp® XB-D Cree® LEDs
- ✿ LED current 600mA
- ✿ 12-25V DC Input Voltage
- ✿ 6W power
- ✿ IP68 up to 5m
- ✿ Designed for Ledil GT3 lenses
- ✿ Marine grade SS316L Stainless steel
- ✿ Anodized 6063 Aluminum
- ✿ High efficiency
- ✿ Environmentally friendly
- ✿ Long Lifetime
- ✿ Energy Saving
- ✿ Modern Design

### FEATURES

**RoHS**  
COMPLIANT



**IP68**

### APPLICATIONS

NIVISS nFloor-6 can be widely used in different type of outdoor decorative applications as highlighting architectural objects:

- ✿ Walkways lighting
- ✿ Cycle paths lighting
- ✿ Driveway lighting
- ✿ Accent lighting
- ✿ Monument lighting

### Contact:



+48 58 781 33 99

[sales@niviss.com](mailto:sales@niviss.com)

[www.niviss.com](http://www.niviss.com)

NIVISS reserves the right to make technical changes without prior notice.

Copyright © NIVISS 2014-12-22 VB06

### SPECIFICATION

Color*	Comfort White	Warm White	Neutral White	Cool White
Color Temperature	2700 ± 150 K	3000 ± 150 K	4000 ± 250 K	5000 ± 250 K
Source Lumen Output**	383 lm	383 lm	408 lm	436 lm
CRI	≥80		≥73	≥68
LED Working Current	600 mA			
Input Voltage	12-25V DC			
Number of LEDs	3			
Led Family	XLamp® XB-D Cree® LEDs			
Operating temperature	-20°C ÷ +40°C			
Dimensions	Ø92 mm x H54,55 mm (without plastic box)			
Ingres Protection	IP68			
Maximum immersion	5m			
Appliance class	Class III			
Viewing Angle [FWHM]	14°, 25°, 32°, 38°			
Wattage	6 W			
Dimmable	-			
Lifetime ***	≥ 60500			
Connection cable****	H05N			
Working Load	700kg			
Mechanical impacts class	IK08			

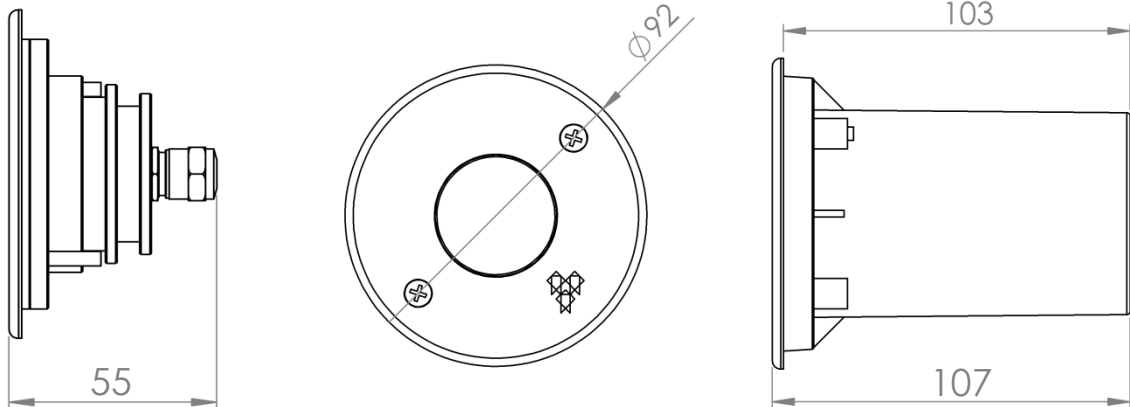
\* Other colors on request

\*\* Source performance in real-life conditions at ambient temperature of 25°C; includes optical losses, tolerance of source Lumen Output - 5%

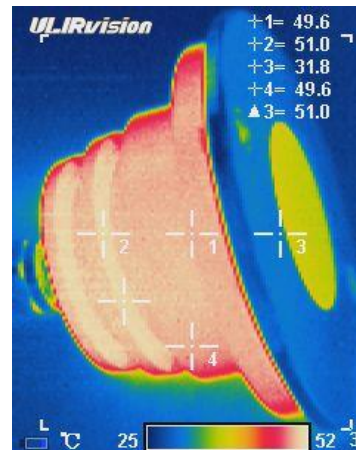
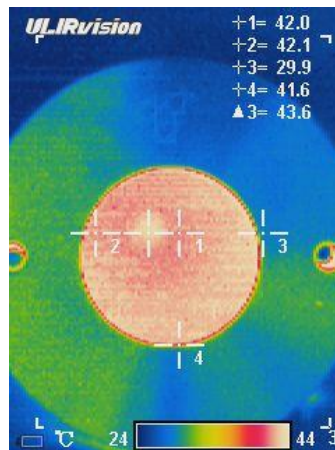
\*\*\* Approximate lifetime of LEDs as declared by the manufacturer [Cree®](#) and other electronic components

\*\*\*\* H07N cable on request

### DIMENSIONS [mm]



### THERMAL ANALYSIS



### Contact:



+48 58 781 33 99

[sales@niviss.com](mailto:sales@niviss.com)

[www.niviss.com](http://www.niviss.com)



LED Solution Provider

NIVISS reserves the right to make technical changes without prior notice.

Copyright © NIVISS 2014-12-22 VB06

**ORDERING  
CODE**

CODE	Power	Color
NFLOOR-PO-CV-6W-VWxx-y*	6 W	Comfort White (2700 K)
NFLOOR-PO-CV-6W-WWxx-y*	6 W	Warm White (3000 K)
NFLOOR-PO-CV-6W-NWxx-y*	6 W	Neutral White (4000 K)
NFLOOR-PO-CV-6W-CWxx-y*	6 W	Cool White (5000 K)

\* xx- means lens angle (14 for 14°, 25 for 25°, 32 for 32°, 34 for 38°);

y-means surface finish: A – aluminum, S – stainless steel, SA – steel front, aluminum body

**ENVIRONMENTAL  
CAUTION**



**Caution!**

It is prohibited to dispose of obsolete and waste electrical and electronic equipment together with regular household wastes. They should be properly sorted and recycled. Old electrical and electronic equipment should be returned to a waste collection point established by a waste-management service. Waste electrical and electronic equipment can be broken down to base materials and then recycled. For more information regarding waste management please contact your local authorities, waste-management service or the seller of electrical and electronic devices.

**Contact:**



+48 58 781 33 99

[sales@niviss.com](mailto:sales@niviss.com)

[www.niviss.com](http://www.niviss.com)

NIVISS reserves the right to make technical changes without prior notice.

Copyright © NIVISS 2014-12-22 VB06