



INTRODUCTION SAVE ENERGY WITH NIVISS

The drive-over Niviss nDisc fixtures are perfect for lighting car parks and driveways. Due to the high resistance rating, they can easily carry loads imposed by vehicles weighing up to 3.5 tons..

- Based on CREE® LEDs
- 230V AC / 12-24V on request
- Made of 316L steel or steel with aluminium
- Power: 7W / 6W
- IP67 / IP68
- 5-year warranty
- Also available with an aluminium body

APPLICATIONS The Niviss nDisc Standard fixture can be used for lighting many places and objects such as:

- premises
- parks
- car parks
- gardens
- terraces
- squares

SPECIFICATION

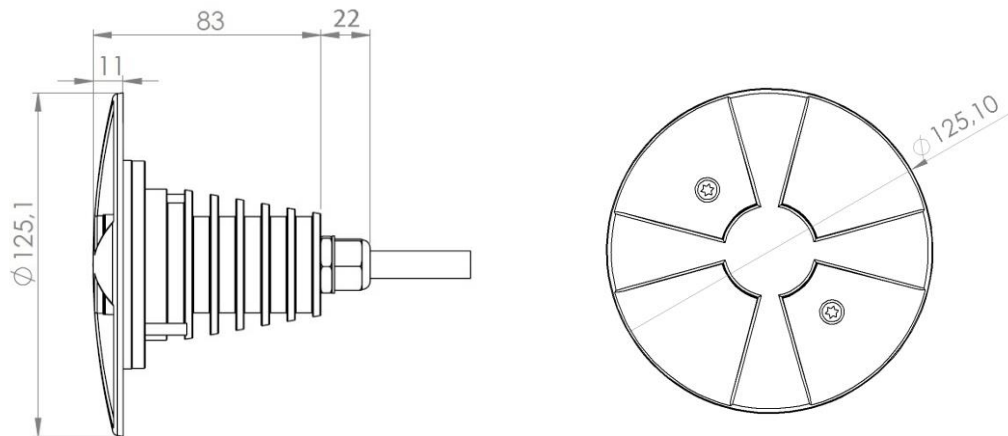
LIGHT COLOUR	AMBER WHITE	CONFORT WHITE	WARM WHITE	NEUTRAL WHITE	COOL WHITE
Colour Temperature*	2200± 150 K	2700 ± 150 K	3000 ± 150 K	4000 ± 250 K	5000 ± 250 K
Effective Source Lumen Output**	350 lm	430 lm	490 lm	490 lm	520 lm
CRI	≥ 80				
Input Voltage	230V AC 50Hz / 12V/24V DC				
Power Consumption	7W / 6W				
Operating Temperature.	-20°C + +55°C				
Dimensions	Ø125,1 mm				
Cable Type	H07RN-F 3G1 / 2X1.5				
Cable Length	1.5m				
IP Rating	IP67 / IP68				
Lifetime***	≥ 60 000 h				

* Other CCTs and colours available on request.

** Source performance in real-life conditions at Ta=25°C; includes optical losses; the tolerance of source lumen output is 5%.

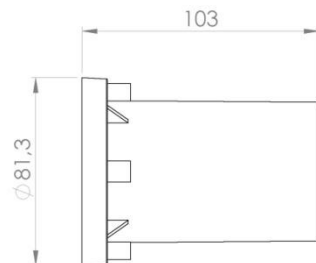
*** Approximate lifetime of LEDs declared by Cree® at Ta=25°C (for 90% of initial light output) and other electronic components

DIMENSIONS [mm]

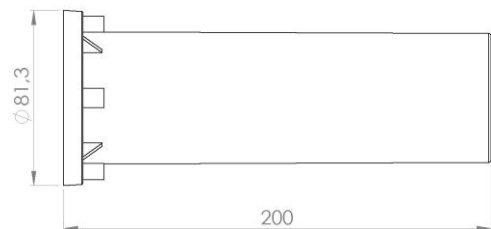


ACCESSORIES

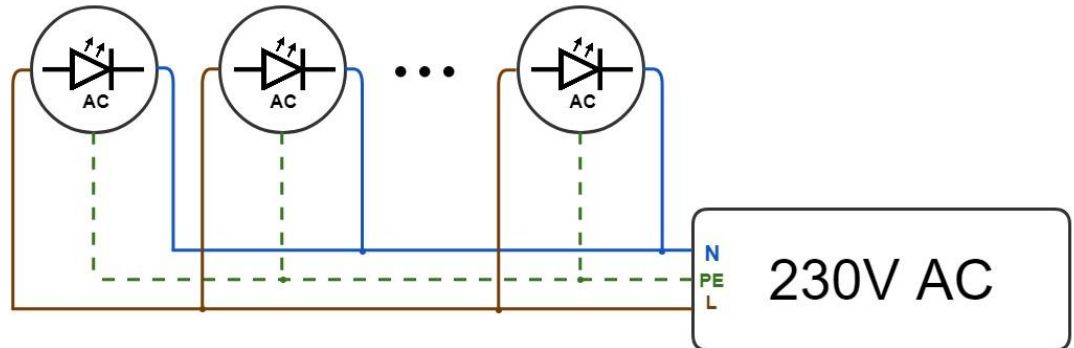
GROUND-STANDARD-ABS-1



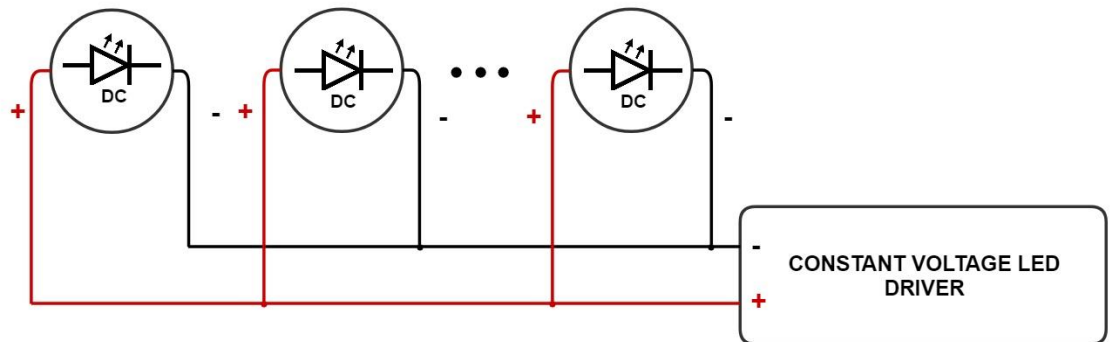
GROUND-STANDARD-ABS-2



ELECTRICAL INSTALLATION



Connecting to the power supply should be done when the power supply is off.



Connecting to the power supply should be done when the power supply is off.

ORDER CODE FORMAT

nDISC STANDARD	- 7 -	WW	- 2 -	RD	- SS	- HV	LV - 6 W	HV - 7 W	2 - 2 sides open	4 - 4 sides open	SS - Steel top and steel body
							POWER	POWER	NUMBER OF SIDES OPEN	MATERIAL OF THE TOP/BODY	
FAMILY							CCT		FRONT PLATE		SUPPLY VOLTAGE
							AW - 2200K		RD - Round		LV - 12V/24V DC
							VW - 2700K				HV - 230V AC, 50Hz
							WW - 3000K				
							NW - 4000K				
							CW - 5000K				

ENVIRONMENTAL CAUTION



Caution!

It is prohibited to dispose of obsolete and waste electrical and electronic equipment together with regular household wastes. They should be properly sorted and recycled. Old electrical and electronic equipment should be returned to a waste collection point established by a waste-management service. Waste electrical and electronic equipment can be broken down to base materials and then recycled. For more information regarding waste management please contact your local authorities, waste-management service or the seller of electrical and electronic devices.