



## INTRODUCTION SAVE ENERGY WITH NIVISS

The Projector series was created for customers looking for flexible lighting solutions for garden and park spaces. Thanks to the moveable fixture, the light beam can be pointed in any direction.

- Based on CREE® LEDs
- 230V AC
- Made of aluminum
- Power: 17W
- IP67
- 5-year warranty

## APPLICATIONS The Niviss nGround Projector Medium fixture can be used for lighting many places and objects such as:

- parks
- gardens
- exterior walls
- monuments
- premises
- plants

### SPECIFICATION

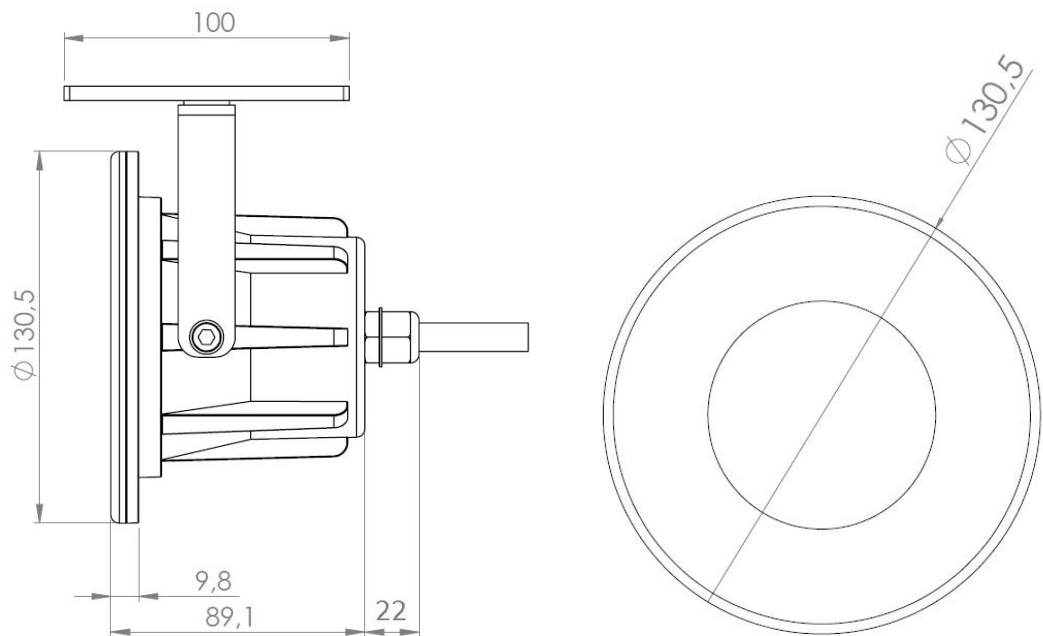
LIGHT COLOUR	CONFORT WHITE	WARM WHITE	NEUTRAL WHITE	COOL WHITE
Colour Temperature*	2700 ± 150 K	3000 ± 150 K	4000 ± 250 K	5000 ± 250 K
Effective Lumen Output**	1250 lm	1250 lm	1450 lm	1450 lm
CRI	≥ 80			
Viewing Angle [FWHM]	25°, 50°			
Input Voltage	230V AC 50Hz			
Power Consumption	17 W			
Operating Temperature.	-20°C + +55°C			
Dimensions	Ø130,5mm			
Cable Type	H07RN-F 3G1 with plug			
Cable Length	2m			
IP Rating	IP67			
Lifetime***	≥ 60 000 h			

\* Other CCTs and colours available on request.

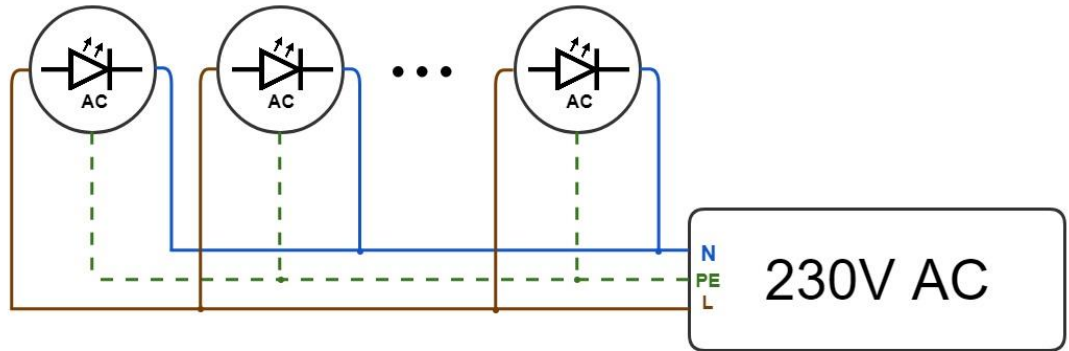
\*\* Source performance in real-life conditions at Ta=25°C; includes optical losses; the tolerance of source lumen output is 5%.

\*\*\* Approximate lifetime of LEDs declared by Cree® at Ta=25°C (for 90% of initial light output) and other electronic components

### DIMENSIONS [mm]



**ELECTRICAL INSTALLATION**



Connecting to the power supply should be done when the power supply is off.

**ORDER CODE FORMAT**

<b>nGROUND MEDIUM PR</b> <small>FAMILY</small>	<b>POWER</b>	<b>25 - 25 degrees 50 - 50 degrees FWHM ANGLE</b>	<b>AA - Aluminium front and body MATERIAL OF THE FRONT / BODY</b>
	<b>- 17 - VW - 25 - RD - AA - HV</b>	<b>CCT</b> VW - 2700K WW - 3000K NW - 4000K CW - 5000K	<b>FRONT PLATE</b> RD - Round
			<b>SUPPLY VOLTAGE</b> HV - 230V AC, 50Hz

**ENVIRONMENTAL CAUTION**



Caution!  
It is prohibited to dispose of obsolete and waste electrical and electronic equipment together with regular household wastes. They should be properly sorted and recycled. Old electrical and electronic equipment should be returned to a waste collection point established by a waste-management service. Waste electrical and electronic equipment can be broken down to base materials and then recycled. For more information regarding waste management please contact your local authorities, waste-management service or the seller of electrical and electronic devices.