



INTRODUCTION

SAVE ENERGY WITH NIVISS

The Ground series was designed using modern simulation methods in order to obtain the highest product quality.

- Based on CREE® LEDs
- 700mA per channel
- Made of 316L steel
- Power: 6 W per channel
- IP68
- 5-year warranty
- Round or square front
- Also available with an aluminum body
- RGBW

APPLICATIONS

The Niviss Ground Medium fixture can be used for lighting many places and objects such as:

- parks
- gardens
- squares
- premises
- plants
- exterior walls

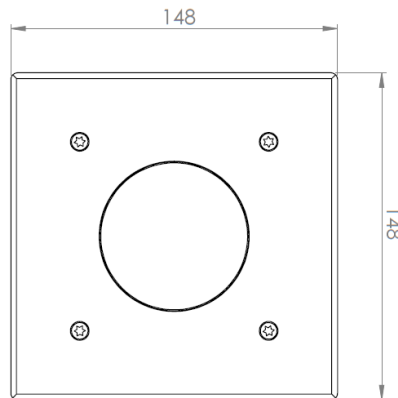
SPECIFICATION

LIGHT COLOUR	RED	GREEN	BLUE	COOL WHITE	NEUTRAL WHITE	WARM WHITE
Colour Temperature / Dominant Wavelength Range	620-630 nm	520-535 nm	465-485 nm	5000 K	4000K	2700 K
Effective Lumen Output**	265 lm	370 lm	175 lm	680 lm	680 lm	600 lm
Constant Current	700 mA per channel					
Viewing Angle [FWHM]	15°, 30°					
Input Voltage	6 W per channel					
Operating Temperature.	-20°C + +55°C					
Dimensions	Ø148mm					
Cable Type	8X0.5mm ²					
Cable Length	0.5m					
IP Rating	IP67					
Lifetime***	≥ 65 000 h					

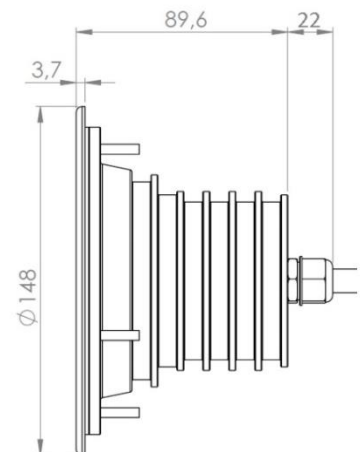
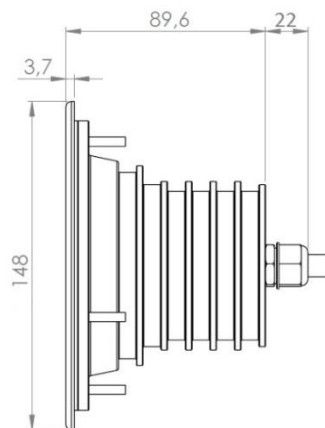
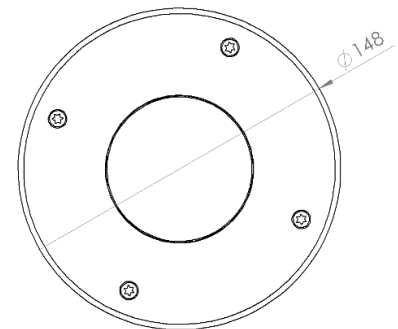
* Source performance in real-life conditions at Ta=25°C; includes optical losses; the tolerance of source lumen output is 5%.
 ** Approximate lifetime of LEDs declared by Cree® at Ta=25°C (for 80% of initial light output) and other electronic components.

DIMENSIONS [mm]

SQUARE FRONT



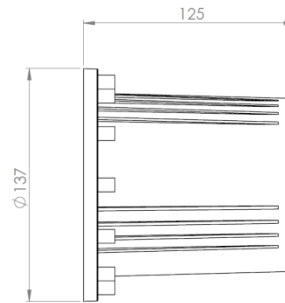
ROUND FRONT



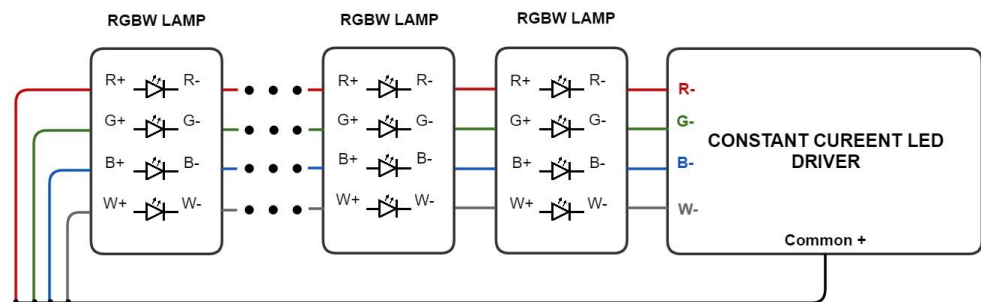
Contact: +48 58 781 33 99 sales@niviss.com www.niviss.com
 NIVISS reserves the right to make technical changes without prior notice.

ACCESSORIES

GROUND MEDIUM ABS-1



ELECTRICAL INSTALLATION



Connecting to the power supply should be done when the power supply is off.

ORDER CODE FORMAT

GROUND MEDIUM	POWER	FWHM ANGLE	MATERIAL OF THE FRONT / BODY	
	24	15	SQ	SA
FAMILY	COLOUR VERSION	FRONT PLATE	TYPE OF POWER SUPPLY	
	RGBW - RGB + warm white RGBN - RGB + neutral white RGBC - RGB + cool white	SQ - Square RD - Round	CC - Constant current (nominal 700mA)	

GENERAL TERMS OF USE

- Max current for each channel is 750mA.
- The range of acceptable input voltages must include the expected voltage dropout across the LED string eg.:
 - for XP-E2 RED LEDs: 6 LEDs in string at 700mA voltage dropout is 13.8V typical;
 - for XP-E2 GREEN and BLUE LEDs: 6 LEDs in string at 700mA voltage dropout is 18.6V typical;
 - for XP-G3 White LEDs: 6 LEDs in string at 700mA voltage dropout is 17,4V typical;

Imax and VF (Maximal drive current, Forward voltage) should be checked in the current data sheets available on website:

<http://www.cree.com/led-components-and-modules/products/xlamp>.

Niviss is not responsible for any damage or failure due to not comply with above rules. Otherwise, the complaint will not be taken into account.

ENVIRONMENTAL CAUTION



Caution!

It is prohibited to dispose of obsolete and waste electrical and electronic equipment together with regular household wastes. They should be properly sorted and recycled. Old electrical and electronic equipment should be returned to a waste collection point established by a waste-management service. Waste electrical and electronic equipment can be broken down to base materials and then recycled. For more information regarding waste management please contact your local authorities, waste-management service or the seller of electrical and electronic devices.