

INTRODUCTION SAVE ENERGY WITH NIVISS

The Ground series was designed using modern simulation methods in order to obtain the highest product quality. Ground series fixtures are made of top-quality materials such as marine grade steel, high-purity glass for optical applications, and modern CREE LEDs.

- Based on CREE® LEDs
- 230V AC / 12-24V on request
- Made of 316L steel
- Power: 7W / 6W
- IP67 / IP68
- 5-year warranty
- Also available in aluminium

APPLICATIONS The Niviss Ground Standard fixture can be used for lighting many places and objects such as:

- parks
- gardens
- exterior walls
- monuments
- premises
- plants

SPECIFICATION

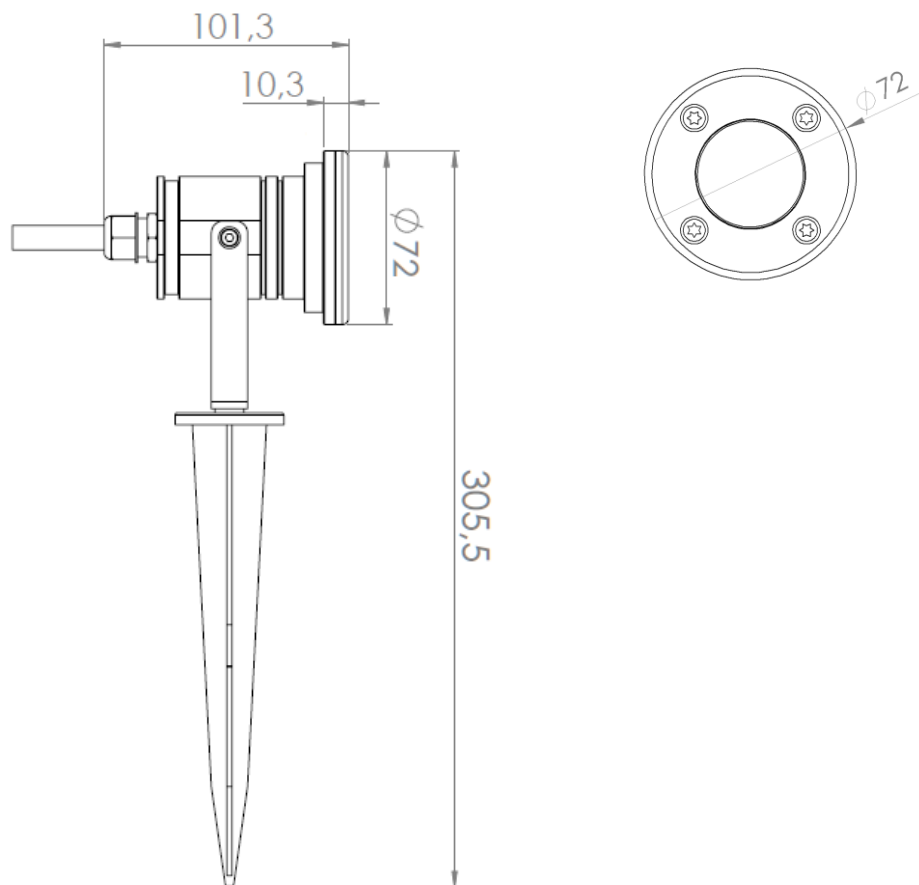
| LIGHT COLOUR | AMBER WHITE | CONFORT WHITE | WARM WHITE | NEUTRAL WHITE | COOL WHITE |
|--------------------------|-------------------------------|---------------|--------------|---------------|--------------|
| Colour Temperature* | 2200 ± 150 K | 2700 ± 150 K | 3000 ± 150 K | 4000 ± 250 K | 5000 ± 250 K |
| Effective Lumen Output** | 350 lm | 500 lm | 500 lm | 570 lm | 570 lm |
| CRI | ≥ 80 | | | | |
| Viewing Angle [FWHM] | 30°, 50° | | | | |
| Input Voltage | 230V AC 50Hz / 12V/24V DC | | | | |
| Power Consumption | 7 W / 6 W | | | | |
| Operating Temperature. | -20°C + +55°C | | | | |
| Dimensions | Ø72mm | | | | |
| Cable Type | H07RN-F 3G1 with plug / 2X1.5 | | | | |
| Cable Length | 2m | | | | |
| IP Rating | IP67 / IP68 | | | | |
| Lifetime*** | ≥ 60 000 h | | | | |

* Other CCTs and colours available on request.

** Source performance in real-life conditions at Ta=25°C; includes optical losses; the tolerance of source lumen output is 5%.

*** Approximate lifetime of LEDs declared by Cree® at Ta=25°C (for 90% of initial light output) and other electronic components

DIMENSIONS [mm]



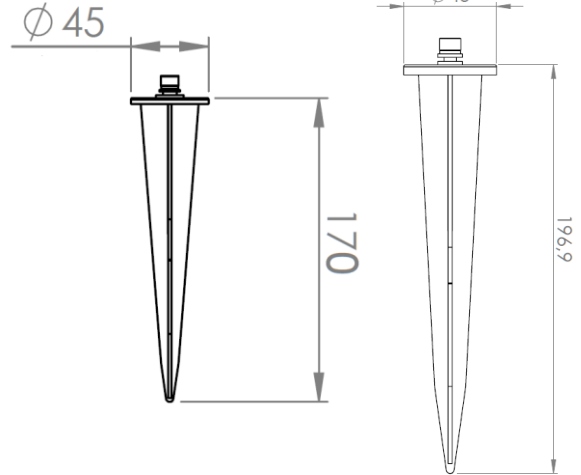
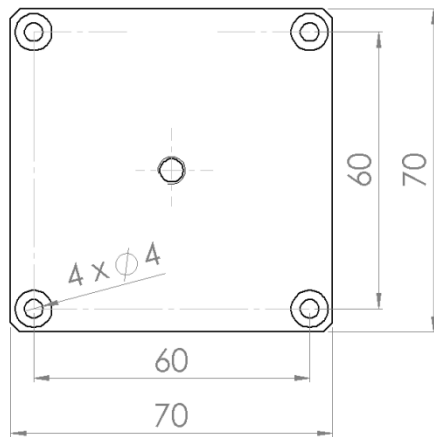
Contact: +48 58 781 33 99 sales@niviss.com www.niviss.com
 NIVISS reserves the right to make technical changes without prior notice.

CREE 
 LED Solution Provider

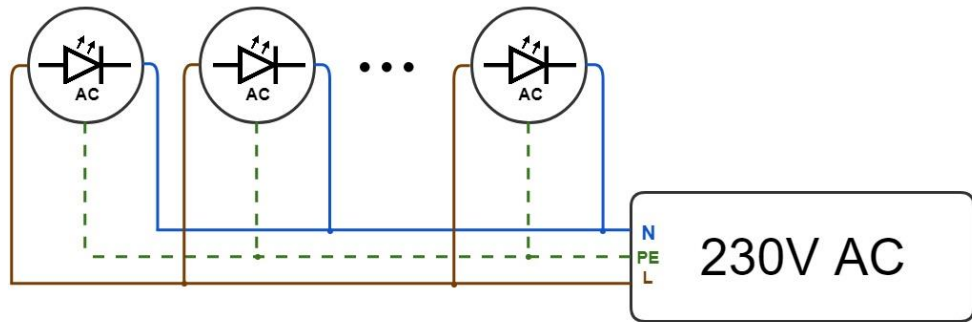
ACCESSORIES

GROUND-PLATE-6063 / GROUND-PLATE-SST

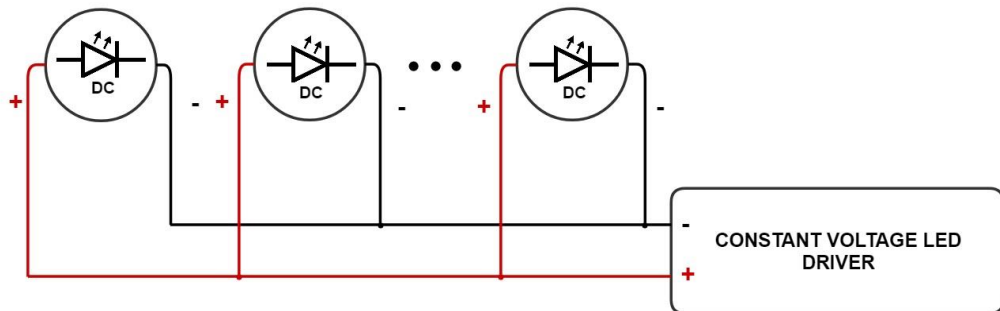
GROUND-SPIKE-NYLON / GROUND-SPIKE-SST



ELECTRICAL INSTALLATION



Connecting to the power supply should be done when the power supply is off.



Connecting to the power supply should be done when the power supply is off.

**ORDER CODE
FORMAT**

| | | | | | | | | | | | | |
|-------------------------------|---|----------|---|---|---|------------------------------------|---|--------------------|---|--|---|---------------------------------------|
| GROUND STANDARD PR | - | 7 | - | VW | - | 30 | - | RD | - | SS | - | LV |
| | | | | | | | | | | | | |
| <u>FAMILY</u> | | | | <u>POWER</u> | | <u>FWHM ANGLE</u> | | <u>FRONT PLATE</u> | | <u>MATERIAL OF THE FRONT / BODY</u> | | <u>SUPPLY VOLTAGE</u> |
| | | | | LV - 6 W HV - 7 W | | 30 - 30 degrees 50 - 50 degrees | | RD - Round | | SS - Steel front and body AA - Aluminium front and body | | LV - 12V/24V DC HV - 230V AC, 50Hz |
| | | | | CCT AW - 2200K VW - 2700K WW - 3000K NW - 4000K CW - 5000K | | | | | | | | |

**ENVIRONMENTAL
CAUTION**



Caution!

It is prohibited to dispose of obsolete and waste electrical and electronic equipment together with regular household wastes. They should be properly sorted and recycled. Old electrical and electronic equipment should be returned to a waste collection point established by a waste-management service. Waste electrical and electronic equipment can be broken down to base materials and then recycled. For more information regarding waste management please contact your local authorities, waste-management service or the seller of electrical and electronic devices.