

INTRODUCTION

BUILD YOURS LIGHT APPLICATION WITH NIVISS KHX2 MODULES

The Niviss KHX2 is an advanced, energy-efficient and environmentally friendly LED module. It is based on LED technology of one of the leaders of the LED solutions - American company Cree® and Metal Core Printed Circuit Board (MCPCB) technology. Niviss KHX2 modules are designed to build and modification various lighting applications. The main advantage of using LED lighting is that they do not contain toxic compounds such as lead and mercury, and have no negative impact on the environment. They provide lighting devoid of UV and IR radiation.

- Based on CREE® LEDs
- High efficiency
- Environmentally friendly
- Long Lifetime
- Energy Saving
- No UV and Mercury

APPLICATIONS

The Niviss KHX2 can be widely used in different types of indoor and outdoor lighting applications

- Street lighting
- Sidewalk & Bicycle Lane Light
- Task lighting
- Wide-area lighting
- General lighting
- Recessed furniture LED spotlight

Contact: +48 58 781 33 99 sales@niviss.com www.niviss.com
 NIVISS reserves the right to make technical changes without prior notice.

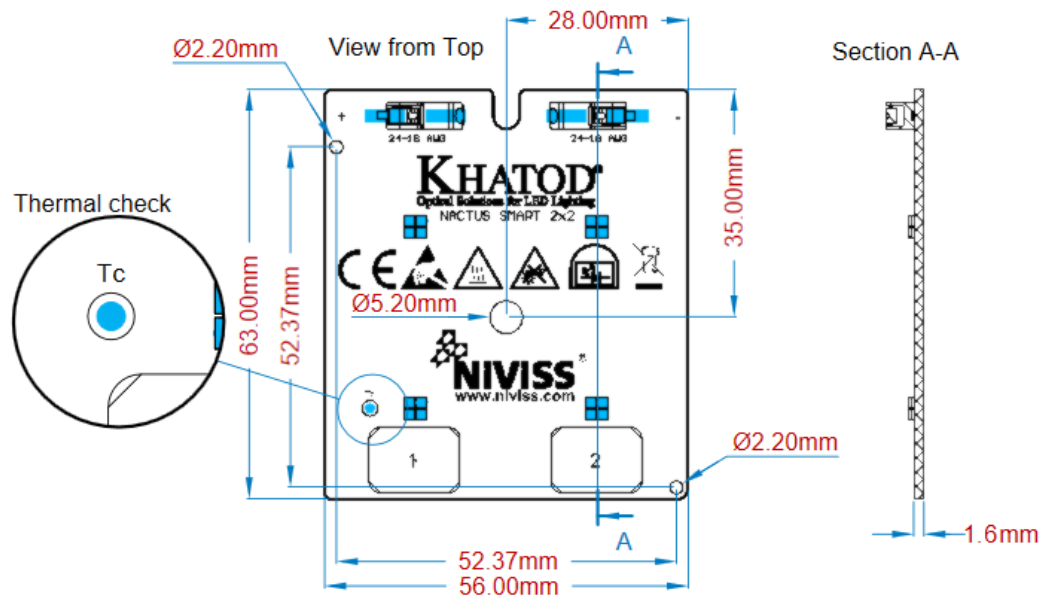


SPECIFICATION

LED FAMILY	XD16
Effective Lumen* @700 mA	1250 lm
Effective Lumen* @1,5 A	2650 lm
Effective Lumen* @3 A	4750 lm
Maximum current	8 A
Power supply voltage	≈ 12V DC
CCT	4000K
CRI	80
Operating Temperature.	-20°C + +55°C
Recomended T _c	55°C
Dimensions	56x63mm
Lifetime**	≥ 65 000 h

* Source performance calculated using CREE® Product Characterization Tool (<http://pct.cree.com>) at Tsp=55°C
 ** Approximate lifetime of LEDs declared by Cree® at Tc=25°C (for 80% of initial light output) and other electronic components

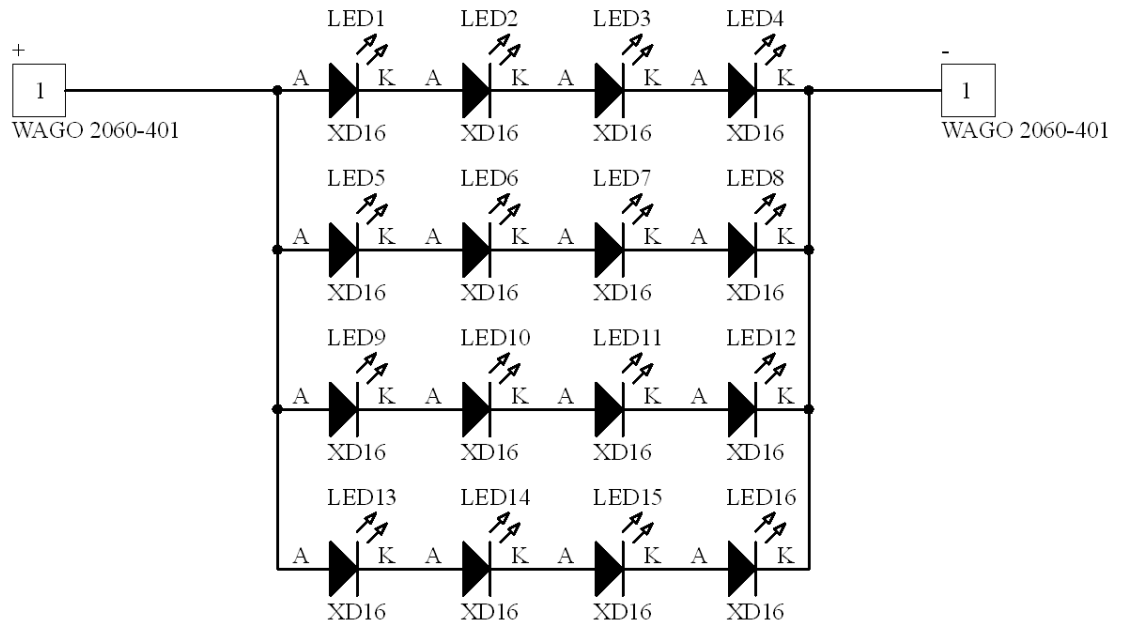
DIMENSIONS



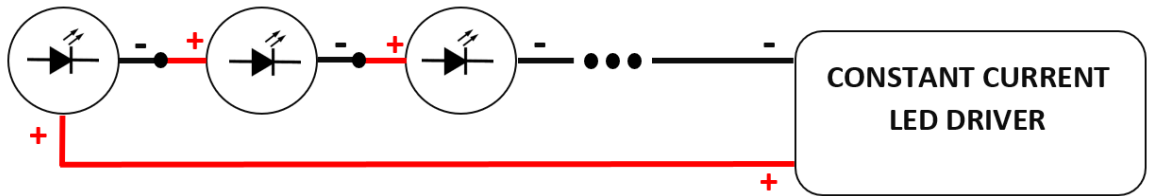
Contact: +48 58 781 33 99 sales@niviss.com www.niviss.com
 NIVISS reserves the right to make technical changes without prior notice.

CREE 
 LED Solution Provider

SCHEMATIC DIAGRAM



ELECTRICAL INSTALLATION



Connecting to the power supply should be done when the power supply is off.

The module should be placed on heatsink.

ORDER CODE FORMAT

MODULE	FAMILY	CCT	LED TYPE
MOD	KHX2	NW	80
			XD16
		70 minimum CRI 80 minimum CRI CRI	
		VW - 2700K WW - 3000K NW - 4000K DW - 5000K CW - 5700K	

Contact: +48 58 781 33 99 sales@niviss.com www.niviss.com
 NIVISS reserves the right to make technical changes without prior notice.



LENS SYMBOL (optional)

LENS FAMILY	MANUFACTURER ID	MANUFACTURER	ORDERING CODE
NACTUS SMART 2X2	KNAC0412A	KHATOD	LENS-KH-04-KNAC0412A

ENVIRONMENTAL CAUTION



Caution!

It is prohibited to dispose of obsolete and waste electrical and electronic equipment together with regular household wastes. They should be properly sorted and recycled. Old electrical and electronic equipment should be returned to a waste collection point established by a waste-management service. Waste electrical and electronic equipment can be broken down to base materials and then recycled. For more information regarding waste management please contact your local authorities, waste-management service or the seller of electrical and electronic devices.